

UTILITIES COMMISSION
CITY OF NEW SMYRNA BEACH, FLORIDA
200 CANAL STREET
P.O. BOX 100
NEW SMYRNA BEACH, FL 32170-010

ITB# 06-18
LIFT STATION 11 RECONSTRUCTION

DATE: May 8, 2018

RE: Bid No. 06-18 **ADDENDUM NO. 01**

The Utilities Commission is issuing the following addendum. **As such it becomes an integral part of the proposal and must be acknowledged by the return of this signed form, with your proposal form, acknowledging receipt of the addendum.**

Bidders shall note the following statements when preparing bids for evaluation:

- The Estimated Bid Quantity for Bid Item No. 9 has been revised to “2 EACH” on the Bid Tabulation. The revised Bid Tabulation, Page 34, has been attached. The revisions are depicted in red.
- Lift Station Detail Sheets 12 and 15 have been revised and attached to this Addendum.

BIDDER questions are in black. **COMMISSION** responses are in blue.

1. ICON Technologies has supported the Utility Commissions standardization on Yaskawa brand VFDs and Solcon Brand Soft Starters for many years. ICON has been involved in the support of UCNSB lift station standards. (See attached UCNSB drawings with notes). The plans and specifications for Lift Station 11 are missing some detail and do not specify Solcon (or any soft start) brand. Specifically.

Drawing sheet 15 of 15: The bill of material does not list the soft start at all. Please confirm that Solcon model RVS-DX soft starts are required as shown on attached UCNSB standard lift station drawing sheet 2 of 2. * One correction to my 4/18/2018 RFI. Drawing sheet 15 of 15 lists "Baldor" as the Soft start. UCNSB has standardized on Solcon Model RVS-DX soft starts.*

UTILITIES COMMISSION
CITY OF NEW SMYRNA BEACH, FLORIDA
200 CANAL STREET
P.O. BOX 100
NEW SMYRNA BEACH, FL 32170-010

ITB# 06-18
LIFT STATION 11 RECONSTRUCTION

Details related to electrical configuration of the Soft-Start panels are not provided. Please confirm that electrical configuration required is consistent with page 3 of the attached drawing.

The **COMMISSION** does not have a standard VFD or soft start. The **COMMISSION** approves Solcon model RVS-DX soft start and has revised the soft start detail for this project. See revised Lift Station Detail Sheets 12 and 15 attached. The **COMMISSION** will not change the standard VFD or soft start details at this time. Only Lift Station 11 soft start detail has been changed.

2. Per New Smyrna bid documents requesting Polymer Concrete to be used, I would like to submit on Armorock as an or equal to Polymer Concrete. Currently there are only two producers in the US that produce polymer concrete Manholes. Armorock is one of the two. What information can I provide you to qualify Armorock's product?

Reference Attachment 6 in the Bid Document for polymer concrete manhole requirements for this project. All documents are available on the **COMMISSION** website.

3. On your bid set documents I did not find much clarification on Polymer Concrete. Where can I find the specifications for Polymer Concrete in your set of drawings?

See Attachment 6 in the Bid Document.

Acknowledgment of Receipt of Addenda No. 1

Company_____

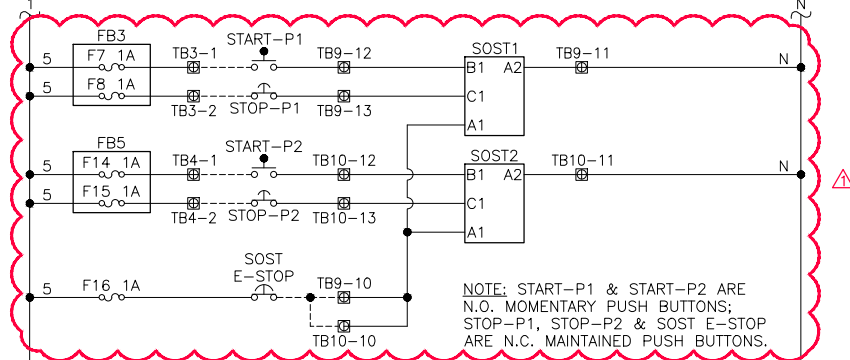
Title_____

Signature_____

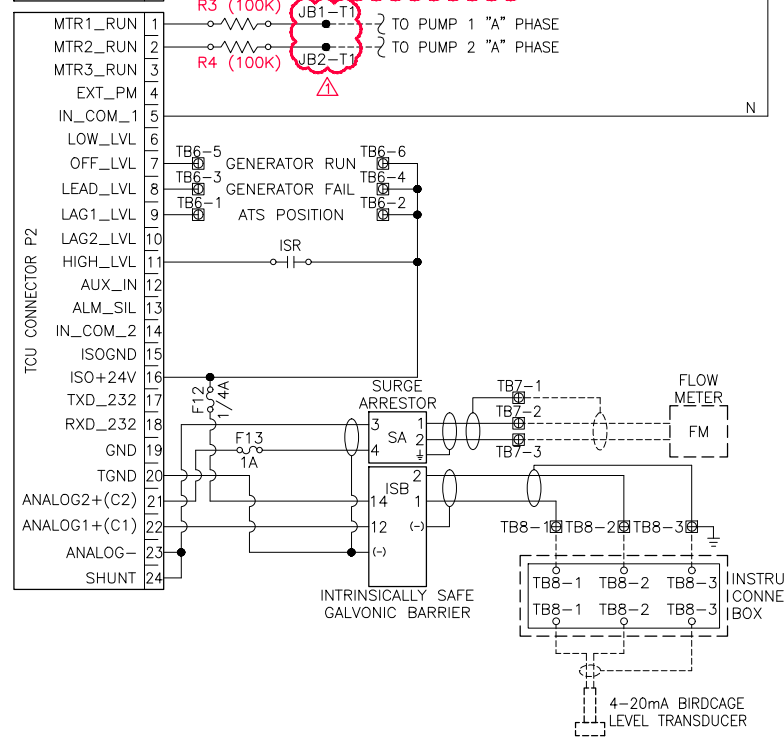
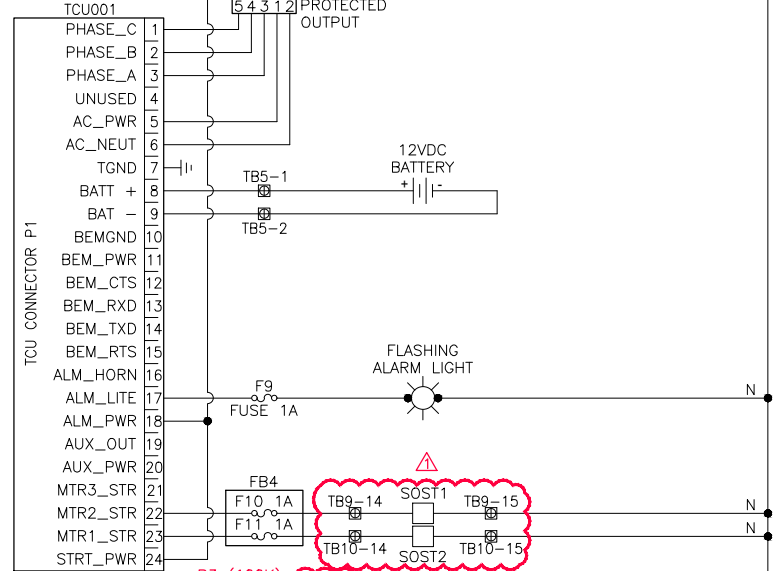
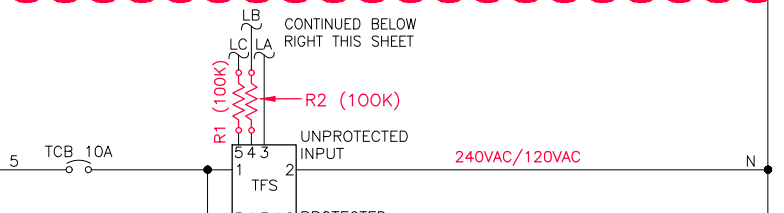
Z:\Projects\Active\UC Construction System Improvements\Wastewater\Station 11\Drawings\LS 11 Reconstruction (10ft WW) Bid Set.dwg - May 04, 2018 - 9:18am

CONTINUED BELOW RIGHT THIS SHEET

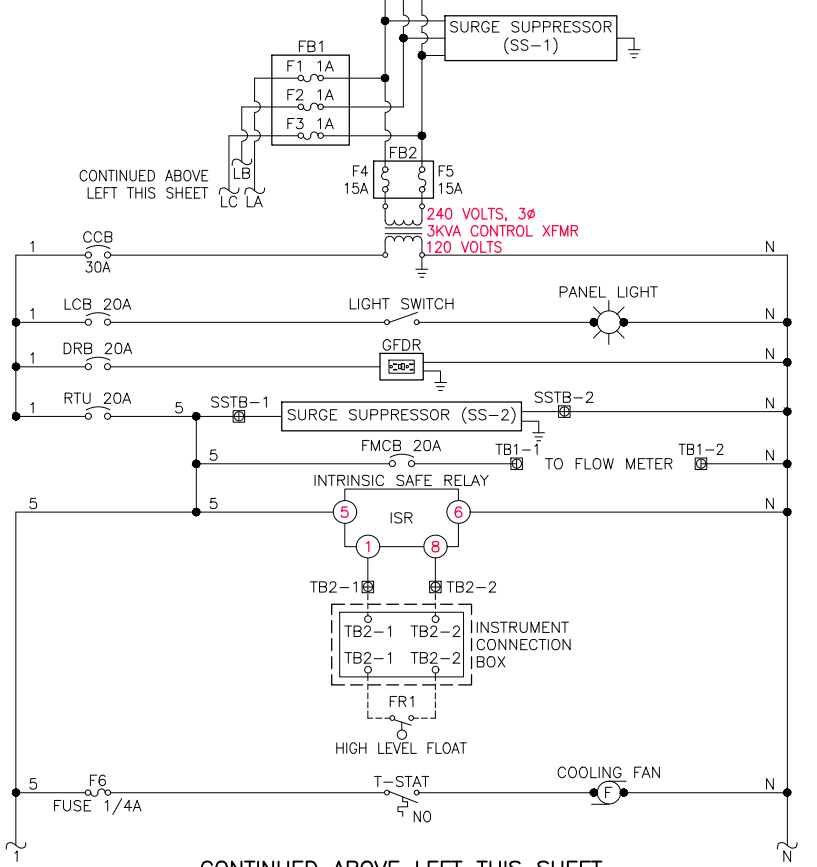
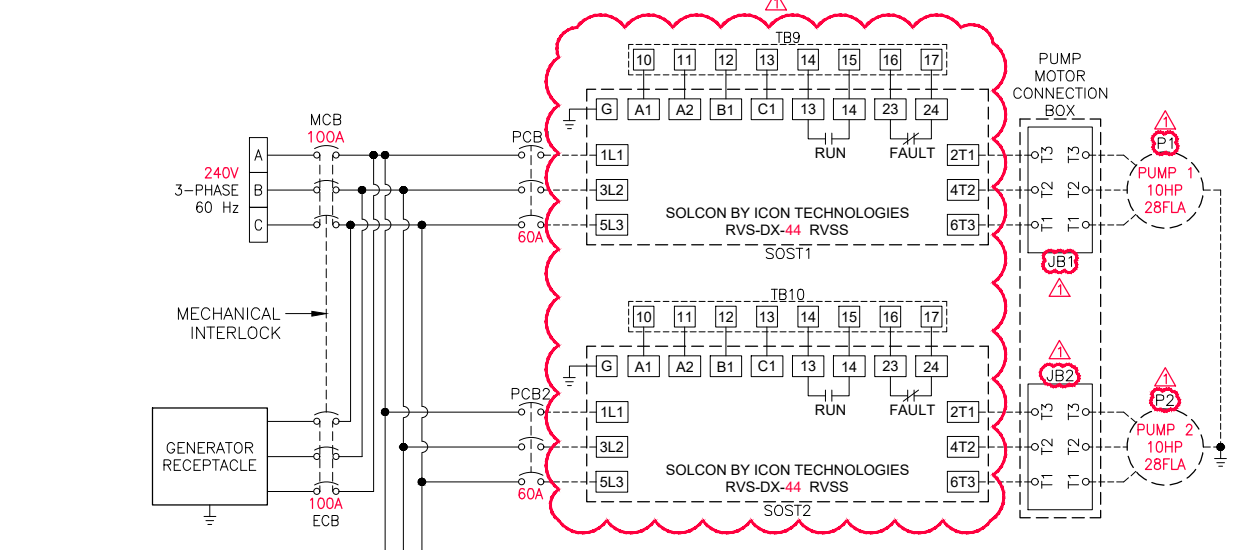
NOTE: CONTRACTOR SHALL COORDINATE PANEL WIRING AND COMPONENTS WITH THE UCNSB, DATA FLOW SYSTEMS, AND THE NON-CLOG SUBMERSIBLE PUMP SUPPLIER.



NOTE: START-P1 & START-P2 ARE N.O. MOMENTARY PUSH BUTTONS; STOP-P1, STOP-P2 & SOST E-STOP ARE N.C. MAINTAINED PUSH BUTTONS.



CONTROL PANEL WIRING DIAGRAM
NTS UCNSB 6/15



CONTINUED ABOVE LEFT THIS SHEET

NOTE: ALL PARTS LISTED ARE "OR APPROVED EQUAL".

QTY.	ABBR.	DESCRIPTION	MANUFACTURER, PART#
1	ENC	ENCLOSURE, TYPE 316 STAINLESS STEEL, NEMA 4X	CUSTOM EQUIPMENT, 36X30X12 W/3PT. LATCH
1	ENC	ENCLOSURE, TYPE 316 STAINLESS STEEL, NEMA 4X	CUSTOM EQUIPMENT, 18X30X8 (PUMP CONNECTION BOX)
1	ENC	ENCLOSURE, TYPE 316 STAINLESS STEEL, NEMA 4X	CUSTOM EQUIPMENT, 18X18X8 (INSTR. CONNECTION BOX)
4		DIN RAIL, 1 METER	SCHNEIDER ELECTRIC, 16-700DIN
1	MCB	MAIN CIRCUIT BREAKER, 100A	SQUARE D, X (SIZE PER PUMP MANUFACTURER)
1	ECB	EMERGENCY CIRCUIT BREAKER, 100A	SQUARE D, X (SIZE PER PUMP MANUFACTURER)
2	PCB1,2	PUMP CIRCUIT BREAKER, 60A	SQUARE D, X (SIZE PER PUMP MANUFACTURER)
2	PDPCB	POWER DISTRIBUTION PANEL CIRCUIT BREAKER, 20A	SQUARE D, QOU120
1	CCB	CONTROL CIRCUIT BREAKER, 30A	SQUARE D, QOU130
1	LCB	LIGHT CIRCUIT BREAKER, 20A	SQUARE D, QOU120
1	DRB	GDR CIRCUIT BREAKER, 20A	SQUARE D, QOU120
1	RTUCB	RTU CIRCUIT BREAKER, 20A	SQUARE D, QOU120
0	FMCB	FLOW METER CIRCUIT BREAKER, 20A	SQUARE D, QOU120
1	TCB	TFS/TCU CIRCUIT BREAKER, 10A	DFS, 014-0010
2	F4,5	FUSE, 15A	BUSSMANN, FNQR15
2	F6,10	FUSE, 1/4A	BUSSMANN, KLM-1/4
2	F7,8	FUSE, 6A	X, X
1	XFMR	3KVA, 120V/240V, CONTROL TRANSFORMER	SQUARE D, X
1	GDR	120V GROUND FAULT DUPLEX RECEPTACLE	HUBBELL, GFR5252IA
1	LS	LIGHT SWITCH & FACE PLATE	HUBBELL, CS12011 & P1
1		PANEL LIGHT	AMERICAN LIGHTING, LXC-2H-WH
1		COOLING FAN	EBM-PAPST, ACI 4420 HH
1		FLASHING ALARM LIGHT	INGRAM PRODUCTS, INC., SBN120AC
2	MS1,2	MOTOR STARTER RELAY	(GENERAL PURPOSE RELAY, DPDT, 24VDC)
1	TCU	TAC PACK TELEMETRY CONTROL UNIT - TCU001	DFS, DFS-00367-011-02
1		WIRE/COMPONENT HARNESS	DFS, DFS-00396-108-02
7	F#	FUSE AND HOLDER, WAGO	DFS, DFS-00271-008-09, 1AMP SLOW BLOW
2	R1,2	RESISTOR BLOCK, 100K, WAGO	DFS, DFS-00271-008-07 (REQ'D FOR 480V)
0	R3,4	RESISTOR BLOCK, 47K, WAGO	DFS, DFS-00271-008-01
2	R3,4	RESISTOR BLOCK, 100K, WAGO	DFS, DFS-00271-008-07
1	TFS	TRANSIENT FILTER SHIELD - TFS001	DFS, DFS-00306-008-01
1		POLYPHASE COAXIAL SURGE PROTECTION KIT	DFS, DFS-00392-008-01
1		BATTERY BACKUP	DFS, DFS-00363-008-02
1		46" RF PIGTAIL	DFS, DFS-00125-008-12
1	SS1	000V SURGE SUPPRESSOR	DITEK, DTK-
1	SS2	120V SURGE SUPPRESSOR (DFS MODEL SPS001)	DITEK, DTK-120HW
1	ISR	INTRINSICALLY SAFE RELAY	ATC DIVERSIFIED, ISO-120-AFA
1	SA	SURGE ARRESTOR	PHOENIX CONTACT, TT-2-PE-24DC, 2838186
1		END COVER FOR SURGE ARRESTOR	PHOENIX CONTACT, 2838995
1	ISB	INTRINSICALLY SAFE BARRIER	DWYER INSTRUMENTS, MTL5041
2		PUMP SPlicer TERMINAL BLOCK	BUSSMANN, 16204-3
1	40	TERMINAL BLOCK	SQUARE D, 9080GR6
1		FOLDING LAPTOP SHELF, 18"	SCHAEFER'S ELECTRICAL ENCLOSURES, SP-SHELF18
1	GEN REC	GENERATOR RECEPTACLE	RUSSELLSTOLL, JRSB1044FR
1	FLOAT	ROTO-FLOAT SWITCH	ANCHOR SCIENTIFIC, S30NO
1	BCT	BIRDCAGE* LEVEL TRANSDUCER	BLUE RIBBON CORP., BC001
2	SOST1,2	SOFT STARTER	SOLCON, RVS-DX-44
0	FM	FLOW METER, ULTRASONIC	CLARK SONIC*, CSLFC

CONTROL PANEL ELECTRICAL BILL OF MATERIALS
NTS UCNSB 3/18

120V SCHEDULE SHOWN FOR GENERAL INFO ONLY. CIRCUIT BREAKERS ARE AN INTEGRAL PART OF THE FACTORY ASSEMBLED CONTROL PANEL. SEE SCHEMATIC FOR DETAILS.

CKT	DESCRIPTION	VA	BKR	WIRES	CONDUIT
PCB1,2	PUMP	000	OP-00A	2-#12, 1-#12 GND	INTERNAL
CCB	CONTROL CB/DFS TCU	500	1P-30A	2-#12, 1-#12 GND	INTERNAL
LCB	PUMP CP LIGHT	240	1P-20A	2-#12, 1-#12 GND	INTERNAL
DRB	PUMP CP RECEPTACLE	360	1P-20A	2-#12, 1-#12 GND	INTERNAL
RTU	REMOTE TELEMETRY UNIT	000	1P-20A	2-#12, 1-#12 GND	INTERNAL
FMCB	FLOW METER	100	1P-20A	2-#12, 1-#12 GND	INTERNAL
TCB	TRANSIENT FILTER SHIELD	300	1P-10A	2-#12, 1-#12 GND	INTERNAL
MS1A	PUMP 1 PROTECTION RELAY	000	1P-20A	2-#12, 1-#12 GND	INTERNAL
MS2A	PUMP 2 PROTECTION RELAY	000	1P-20A	2-#12, 1-#12 GND	INTERNAL
F11	FLOW TRANSMITTER	1A	1A FUSE	2-#12, 1-#12 GND	SCH 40 PVC/INTERNAL
	TOTAL	0000			

LIFT STATION CONTROL PANEL SCHEDULE
NTS UCNSB 3/18

NOTE: WHEN MULTIPLE SHEETS COMPRISE THE SET OF PLANS, NO SINGLE SHEET SHALL BE CONSIDERED FULL AND COMPLETE WITHOUT THE OTHER(S).

ENGINEERING INFORMATION
ENGINEER OF RECORD: DANA N. HALE
LICENSE NUMBER: 69973
NAME AND ADDRESS OF BUSINESS:
UTILITIES COMMISSION, CITY OF NEW SMYRNA BEACH
200 CANAL STREET
NEW SMYRNA BEACH, FLORIDA 32168
CERTIFICATE OF AUTHORIZATION NUMBER: N/A

DANA N. HALE

DATE

BID SET



**UTILITIES COMMISSION
CITY OF
NEW SMYRNA BEACH, FLORIDA**

**LIFT STATION 11
RECONSTRUCTION
LIFT STATION DETAILS**

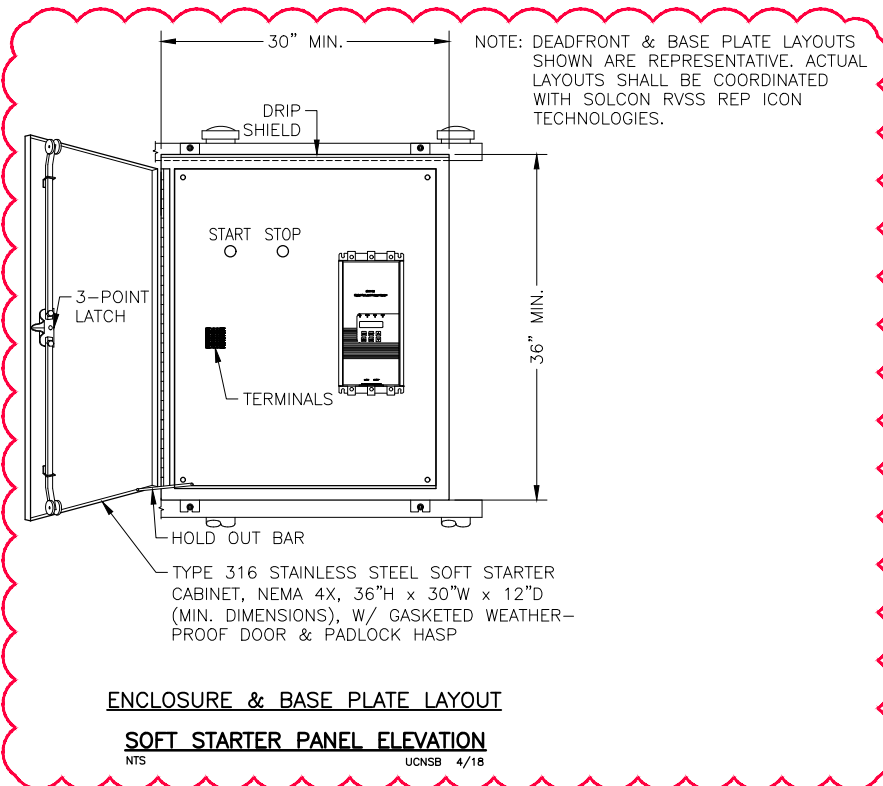
REV. Δ	DATE: 5/4/2018	BY: A WISHART	DWN: A. WISHART	SCALE: AS SHOWN	SHEET 15 OF 15
			CKD: D. HALE	DATE: 3/21/2018	
			APP: D. WAINSCOTT	REF:	
			CAD FILE: LS 11 Reconstruction	ISSUED:	
					U.C. PROJECT NO. ITB #06-18

LIFT STATION NOTES:

- ELEVATION OF EASEMENT AREA SHALL BE SET TO PROVIDE POSITIVE DRAINAGE AWAY FROM LIFT STATION.
- POTABLE WATER SERVICE WITH METER, BACKFLOW PREVENTION DEVICE AND HOSE BIB IS REQUIRED. HOSE BIB SHALL BE POSTED 36" ABOVE GRADE AND THREADED FOR HOSE ATTACHMENT.
- A CLARK SONIC ULTRASONIC FLOW METER, WHEN REQUIRED BY THE FDEP, SHALL BE INSTALLED WITHIN A 3 FT. X 3 FT. (INSIDE) STRUCTURE CONFORMING WITH ASTM C913.
- ALL STRUCTURE OPENINGS BELOW GRADE SHALL BE SEALED WITH NON-SHRINK STRUCTURAL MORTAR, EMACO® S88 CI OR EQUAL.
- ENGINEERS SHALL INCLUDE A DETAILED SITE PLAN FOR PROPOSED LIFT STATIONS AT A SCALE OF 1" = 10'. AT A MINIMUM, SITE PLANS SHALL INCLUDE:
 - LOCATION OF ALL APPURTENANCES.
- ELECTRICAL SERVICE SHALL BE FURNISHED AND INSTALLED PER UCNSB REQUIREMENTS.
- ELECTRIC SERVICE METER AND ANTENNA SHALL BE LOCATED TO FIT FIELD CONDITIONS WITH THE UCNSB'S APPROVAL.
- CONTRACTOR SHALL FURNISH AND INSTALL:
 - ONE (1) PUMP CONTROL PANEL WITH THE FOLLOWING EQUIPMENT:
 - ONE (1) TCU MODULE PROVIDED BY DATA FLOW SYSTEMS (DFS).
 - CIRCUIT BREAKERS.
 - DISCONNECT SWITCHES.
 - OTHER MISCELLANEOUS ELECTRICAL EQUIPMENT AS INDICATED ON THE RISER DIAGRAMS AND ELECTRICAL CONTROL SCHEMATIC.
 - MINIMUM: TWO (2) FULL VOLTAGE, NON-REVERSING, MOTOR STARTERS. STARTERS SHALL HAVE SOFT START CAPABILITIES; PUMPS SHALL BE DESIGNED FOR SOFT STARTERS AND SHALL BE THREE-PHASE UNLESS OTHERWISE APPROVED BY THE UCNSB ENGINEERING DEPARTMENT.
- ALL PIPE IN THE WET WELL AND VALVE VAULT SHALL BE DUCTILE IRON PIPE.

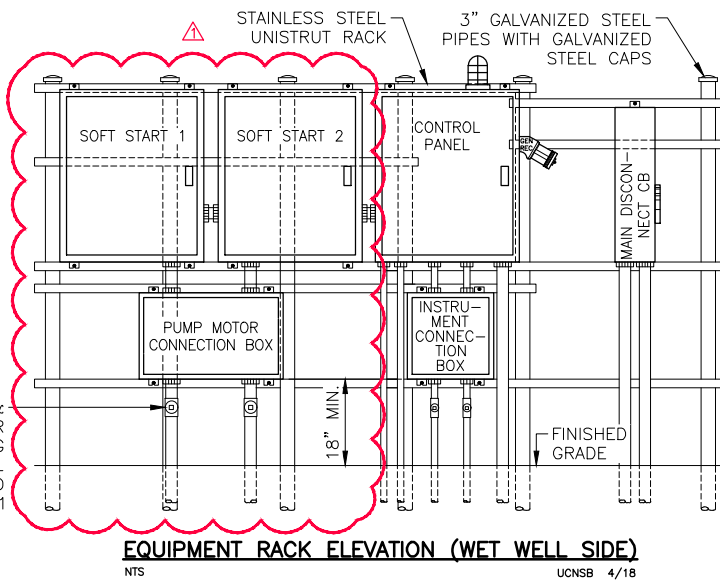
LIFT STATION WET WELLS ARE CLASSIFIED AS A CLASS 1 DIVISION 1 HAZARDOUS LOCATION

SEAL-OFF CONNECTIONS AND CONDUIT CONSTRUCTION FOR ALL CONDUITS PENETRATING INTO THE WET WELL SHALL COMPLY WITH, AND BE INSTALLED PER, NEC ARTICLE 501

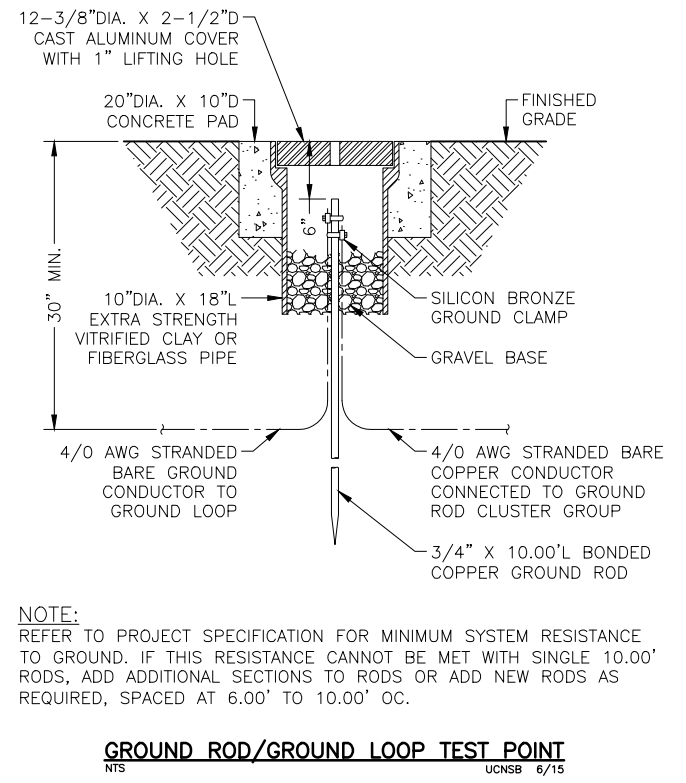
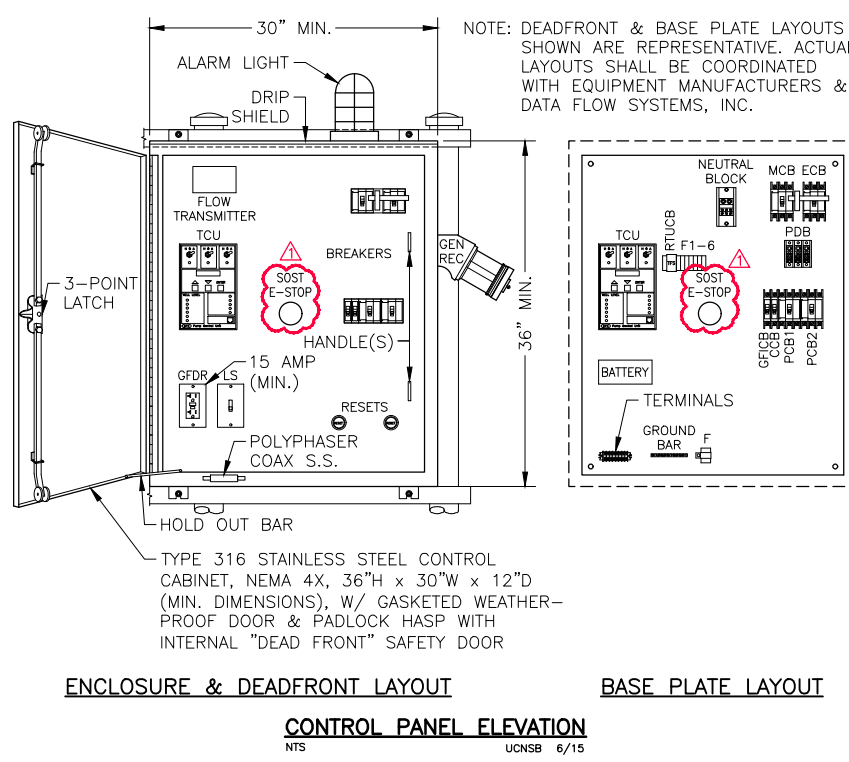


ABBREVIATIONS

A	AMPS	mA	MILLIAMPS
AC	ALTERNATING CURRENT	MCB	MAIN CIRCUIT BREAKER
ALM	ALARM	MCP	MOTOR CIRCUIT PROTECTOR
ATS	AUTOMATIC TRANSFER SWITCH	MS	MOTOR STARTER
AUX	AUXILIARY	MTR	MOTOR
BATT	BATTERY	N, NEUT	NEUTRAL
C	CONDUIT	NO	NORMALLY OPEN
CB	CIRCUIT BREAKER	OL	OVERLOAD
CCB	CONTROL CIRCUIT BREAKER	PDP	POWER DISTRIBUTION PANEL
COM	COMMON	PM	PHASE MONITOR
CTS	CLEAR TO SEND	PWR	POWER
DFS	DATA FLOW SYSTEMS, INC.	R#	RESISTOR [NUMBER]
DRB	DUPLEX RECEPTACLE BREAKER	RTS	REQUEST TO SEND
ECB	EMERGENCY CIRCUIT BREAKER	RTU	REMOTE TERMINAL UNIT
EXT	EXTERNAL	RXD	RECEIVE DATA
FB#	FUSE BLOCK [NUMBER]	SA	SURGE ARRESTOR
FLA	FULL LOAD AMPS	SS	SURGE SUPPRESSOR
FM	FLOW METER	SIL	SILENCE
FMCB	FLOW METER CIRCUIT BREAKER	SOST	SOFT STARTER
FR	FLOAT REGULATOR	TB#	TERMINAL BLOCK [NUMBER]
GFDR	GROUND FAULT DUPLEX RECEPTACLE	TCU	TELEMETRY CONTROL UNIT
GND	GROUND	TFS	TRANSIENT FILTER SHIELD
HP	HORSEPOWER	TGND	SAFETY GROUND
ISB	INTRINSICALLY SAFE BARRIER	T-STAT	THERMOSTAT
ISR	INTRINSICALLY SAFE RELAY	TXD	TRANSMIT DATA
LA	"A" PHASE LINE	V	VOLTS
LB	"B" PHASE LINE	VAC	VOLTS ALTERNATING CURRENT
LC	"C" PHASE LINE	VDC	VOLTS DIRECT CURRENT
LCB	LIGHT CIRCUIT BREAKER	VFD	VARIABLE FREQUENCY DRIVE
LVL	LEVEL	XFMR	TRANSFORMER



- NOTES:**
- ALL MOUNTING HARDWARE SHALL BE TYPE 316 STAINLESS STEEL.
 - ALL ENCLOSURES SHALL BE TYPE 316 STAINLESS STEEL, NEMA 4X RATED, WITH GASKETED WEATHER-PROOF DOORS.
- SEAL-OFF CONNECTIONS & CONDUIT CONSTRUCTION FOR ALL CONDUITS PENETRATING INTO THE WET WELL SHALL COMPLY WITH, & BE INSTALLED PER, NEC ARTICLE 501



NOTE: WHEN MULTIPLE SHEETS COMPRISE THE SET OF PLANS, NO SINGLE SHEET SHALL BE CONSIDERED FULL AND COMPLETE WITHOUT THE OTHER(S).

ENGINEERING INFORMATION

ENGINEER OF RECORD: DANA N. HALE
 LICENSE NUMBER: 69973

NAME AND ADDRESS OF BUSINESS:
 UTILITIES COMMISSION, CITY OF NEW SMYRNA BEACH
 200 CANAL STREET
 NEW SMYRNA BEACH, FLORIDA 32168

CERTIFICATE OF AUTHORIZATION NUMBER: N/A

 DANA N. HALE

 DATE

BID SET

REV. DATE: 5/4/2018 BY: A. WISHART		UTILITIES COMMISSION CITY OF NEW SMYRNA BEACH, FLORIDA		
		LIFT STATION 11 RECONSTRUCTION LIFT STATION DETAILS		
		DWN: A. WISHART	SCALE: AS SHOWN	SHEET 12 OF 15
		CKD: D. HALE	DATE: 3/21/2018	
APP: D. WAINSCOTT	REF:		U.C. PROJECT NO. ITB #06-18	
CAD FILE: LS 11 Reconstruction	ISSUED:			

UTILITIES COMMISSION
CITY OF NEW SMYRNA BEACH, FLORIDA

ITB# 06-18
LIFT STATION 11 RECONSTRUCTION

BID TABULATION
Page 1 of 2

BIDDER NAME: _____

Item No.	Description	Est. Quantity	Unit	Unit Price	Total
1	MOBILIZATION/DEMobilIZATION	1	LS	\$	\$
2	MAINTENANCE OF TRAFFIC	1	LS	\$	\$
3	SEAWALL STABILIZATION	1	LS	\$	\$
4	DEMOLITION	1	LS	\$	\$
5	EROSION PROTECTION (BMP)	1	LS	\$	\$
6	RELOCATE 8" WATER MAIN AND GATE VALVES	1	LS	\$	\$
7	TEMPORARY FORCE MAIN CONNECTION FOR BYPASS PUMPING	1	LS	\$	\$
8	TEMPORARY BYPASS PUMPING	1	LS	\$	\$
9	5-FOOT DIAMETER STEEL REINFORCED POLYMER CONCRETE MANHOLE, 10'-12' DEEP	2	EA	\$	\$
10	SEWER LATERAL	64	LF	\$	\$
11	12" PVC, SDR 26, GRAVITY SANITARY SEWER MAIN, 10'-12' DEEP	1	LS	\$	\$
12	LIFT STATION	1	EA	\$	\$
13	150KW TRAILER MOUNTED DIESEL GENERATOR AND TRAILER	1	EA	\$	\$
14	SURVEY/AS-BUILT	1	LS	\$	\$
15	ASPHALT MILL AND OVERLAY	360	SY	\$	\$
16	CURB RESTORATION	1	LS	\$	\$
17	STRIPING RESTORATION	1	LS	\$	\$
18	GREENSPACE RESTORATION ALLOWANCE	1	LS	\$ 10,000.00	\$ 10,000.00
19	PROJECT CONTINGENCY	1	LS	\$ 25,000.00	\$ 25,000.00