

BLUE STAR

Power Systems Inc.

Diesel Product Line

208-600 Volt

JD150-01

60 Hz / 1800 RPM

150 kWe / 140 kWe

Standby / Prime

Ratings

	240V	208V	240V	480V	600V
Phase	1	3	3	3	3
PF	1.0	0.8	0.8	0.8	0.8
Hz	60	60	60	60	60
Generator Model	431CSL6206	431CSL6202	431CSL6202	431CSL6202	431PSL6240
Connection	12 LEAD ZIG-ZAG	12 LEAD WYE	12 LEAD DELTA	12 LEAD WYE	4 LEAD WYE
Standby					
kWe	150	150	150	150	150
AMPS	625	521	452	226	181
Temp Rise	130°C / 27°C	130°C / 27°C	130°C / 27°C	130°C / 27°C	130°C / 27°C
Prime [Only Available For Mobile Applications]					
kWe	140	140	140	140	140
AMPS	583	486	421	211	169
Temp Rise	105°C / 40°C	105°C / 40°C	105°C / 40°C	105°C / 40°C	105°C / 40°C

Standard Equipment

Engine	Generator	Additional
Radiator Cooled Unit Mounted (50°C)	Brushless Single Bearing	Microprocessor Based Digital Control
Blower Fan & Fan Drive	Automatic Voltage Regulator	Interface Connection Box
Starter & Alternator	± 1% Voltage Regulation	Control Panel Mounted in NEMA 12 Enclosure
Oil Pump & Filter	4 Pole, Rotating Field	Base - Formed Steel
Oil Drain Extension w/Valve	130°C Standby Temperature Rise	Main Line Circuit Breaker Mounted & Wired
Governor - Electronic Isochronous	105°C Prime Temperature Rise	Critical Grade Silencer Mounted
12V Battery System & Cables	100% of Rated Load - One Step	Battery Charger 12V 6 Amp
Air Cleaner (Dry Single Stage)	5% Maximum Harmonic Content	Jacket Water Heater -20°F 2000W 240V
Flexible Fuel Connector	NEMA MG 1, IEEE and ANSI Standards	w/Isolation Valves
EPA Certified Tier 3	Compliance for Temperature Rise	Vibration Isolation Mounts
		Radiator Duct Flange (OPU Only)
		Single Source Supplier
		2YR / 2000HR Standby Warranty
		1YR / 1500HR Prime Warranty
		Standard Colors - White / Tan / Gray

Listing Certifications

- UL 2200 Listed
- cUL Listed
- CSA Certified
- Seismic Certified to IBC 2012

Application Data

Engine			
Manufacturer:	John Deere	Displacement - Cu. In. (lit):	415 (6.80)
Model:	6068HF285	Bore - in. (cm) x Stroke - in. (cm):	4.19 (10.6) x 5.00 (12.7)
Type:	4-Cycle	Compression Ratio:	19.0:1
Aspiration:	Turbo Charged, CAC	Rated RPM:	1800
Cylinder Arrangement:	6 Cylinder Inline	Max HP Stby (kWm):	237 (177)

Exhaust System	Standby	Prime
Gas Temp. (Stack): °F (°C)	981 (527)	981 (527)
Gas Volume at Stack Temp: CFM (m³/min)	1,158 (32.8)	1,104 (31.3)
Maximum Allowable Exhaust Restriction: in. H ₂ O (kPa)	30.0 (7.50)	30.0 (7.50)

Cooling System		
Ambient Capacity of Radiator: °F (°C)	122 (50.0)	122 (50.0)
Maximum Allowable Static Pressure on Rad. Exhaust: in. H ₂ O (kPa)	0.50 (0.12)	0.50 (0.12)
Water Pump Flow Rate: GPM (lit/min)	48.0 (182)	48.0 (182)
Heat Rejection to Coolant: BTUM (kW)	5,407 (94.6)	5,009 (87.7)
Heat Rejection to CAC: BTUM (kW)	1,708 (29.9)	1,508 (26.4)
Heat Radiated to Ambient: BTUM (kW)	2,135 (37.4)	1,992 (34.7)

Air Requirements		
Aspirating: CFM (m³/min)	448 (12.7)	427 (12.1)
Air Flow Required for Rad. Cooled Unit: CFM (m³/min)	10,683 (302)	10,683 (302)
Air Flow Required for Heat Exchanger/Rem. Rad. CFM (m³/min)	Consult Factory For Remote Cooled Applications	

Fuel Consumption		
At 100% of Power Rating: gal/hr (lit/hr)	11.8 (44.7)	10.9 (41.4)
At 75% of Power Rating: gal/hr (lit/hr)	9.40 (35.5)	8.50 (32.1)
At 50% of Power Rating: gal/hr (lit/hr)	6.90 (26.1)	6.20 (23.5)

Fluids Capacity		
Total Oil System: gal (lit)	5.02 (19.0)	5.02 (19.0)
Engine Jacket Water Capacity: gal (lit)	3.14 (11.9)	3.14 (11.9)
System Coolant Capacity: gal (lit)	6.10 (23.1)	6.10 (23.1)

Deration Factors

Rated Power is available up to 10,000 ft (3,048 m) at ambient temperatures to 122°F (50°C) standby and prime. Consult factory for site conditions above these parameters.

DGC-2020 Control Panel

Standard Features

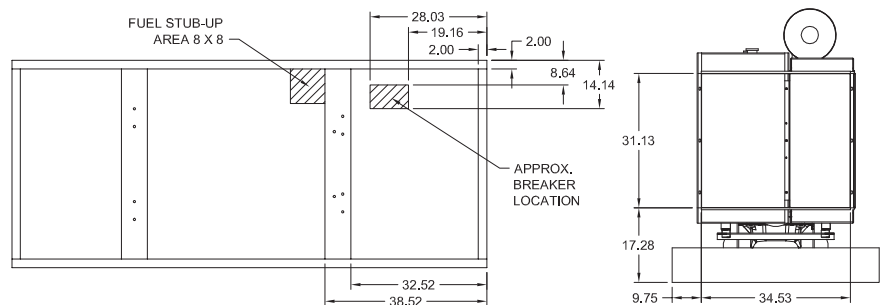
- Digital Metering
- Engine Parameters
- Generator Protection Functions
- Engine Protection
- CAN Bus ECU Communications
- Windows-Based Software
- Multilingual Capability
- Remote Communications to RDP-110 Remote Annunciator
- 16 Programmable Contact Inputs
- Up to 15 Contact Outputs (7 standard)
- UL Recognized, CSA Certified, CE Approved
- Event Recording
- IP 54 Front Panel Rating with Integrated Gasket
- NFPA 110 Level 1 Compatible



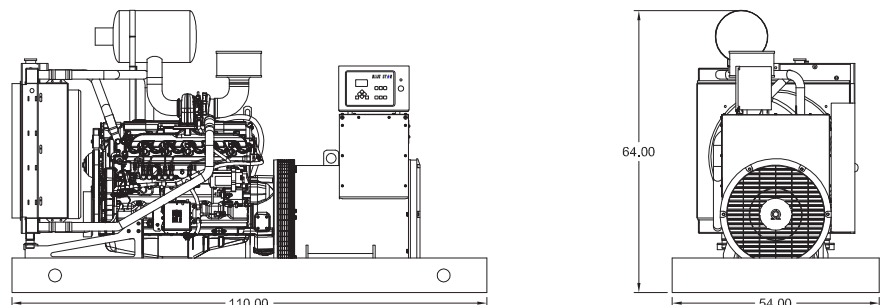
Weights / Dimensions / Sound Data

	L x W x H	Weight lbs
OPU	110 x 54 x 64 in	3,425
Level 1	130 x 54 x 74 in	4,300
Level 2	130 x 54 x 74 in	4,350
Level 3	164 x 54 x 74 in	4,650

Please allow 6-12 inches for height of exhaust stack.



	No Load	Full Load
OPU	82 dBA	85 dBA
Level 1	80 dBA	82 dBA
Level 2	75 dBA	78 dBA
Level 3	71 dBA	73 dBA



Drawings based on standard open power 480 volt standby generator. Lengths may vary with other voltages. Subject to change without notice. Sound data as measured at 23 feet (7 meters) in accordance with ISO 8528-10 at standby rating.

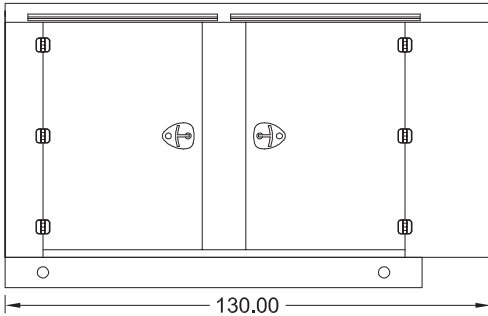
Diesel Product Line

150 kW_e / 140 kW_e

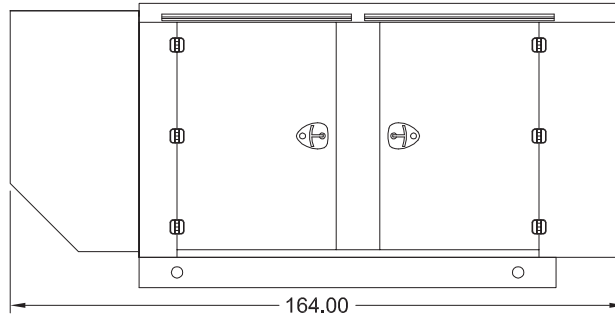


Enclosures

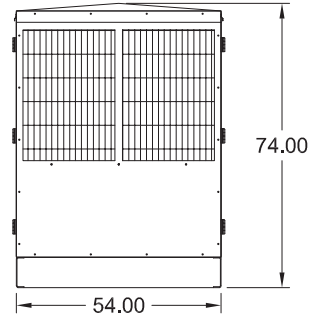
Level 1 & 2 | Side View (Weather Proof)



Level 3 | Side View (Sound Attenuated)



Level 1, 2 & 3 | Intake View



All enclosures are 150 MPH Wind Rated.

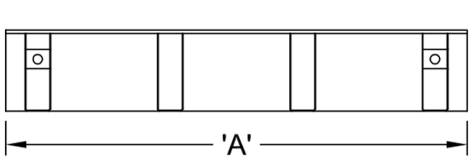
Level 2 & 3 enclosures include sound attenuation foam.

Level 3 enclosure includes frontal sound & exhaust hood.

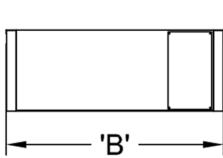
*Enclosure height does not include exhaust stack.

Double Wall UL 142 Listed Fuel Tanks

Side View



Rear View



	24 Hour 375 Gallon	48 Hour 750 Gallon	72 Hour 1125 Gallon
A	110.00	144.00	204.00
B	54.00	54.00	54.00
C	26.00	36.00	36.00

All specification sheet dimensions are represented in inches.

All enclosures and fuel tanks are based on the standard standby unit configuration. Any deviation can change dimensions.

Materials and specifications subject to change without notice.

American Owned



American Made

Distributed By:

Blue Star Power Systems, Inc.

52146 Ember Road

Lake Crystal, Minnesota 56055

Phone + 1 507 726 2508

bluestarps.com

quote.bluestarps.com

sales@bluestarps.com

Gen-Set Trailers



Mobile Power

Generator Trailers

manufactured for the transportation of mobile generators. All models are available in 600 kWe.



Standard Features

- ☐ All Steel Formed or Structural Channel Construction
- ☐ Adjustable Tongue Mounted Jack
- ☐ 2 5/16" Ball Coupler or 3" Pintle Eye
- ☐ Safety Chains
- ☐ +63PNEN+60APLW
- ☐ License Plate Mount with Light
- ☐ Six Pole Connector Plug
- ☐ Breakaway Kit (Electric Brakes Only)
- ☐ Spring Axles
- ☐ Radial Tires With Rims
- ☐ Two (2) Adjustable Rear Stabilizing Jacks
- ☐ Tie Down Brackets for Shipping
- ☐ Jeep Style Fenders
- ☐ Durable Two Part Catalyzed Epoxy Paint Finish

Design Options:

- ☐ Single or Double Wall Tank Integral to Trailer
- ☐ Hydraulic Surge Brakes
- ☐ Spare Tire With Mounting Bracket
- ☐ Cable/Storage Box, Lockable
- ☐ Bolt-On Fenders
- ☐ Drop or Torsion Axles
- ☐ Wheel Chocks
- ☐ LED Lighting Package
- ☐ Powder Coat Finish
- ☐ .BPU
- ☐ Single Point Lift
- ☐ Two (2) Adjustable Front Stabilizing Jacks
- ☐ Power Distribution Center
- ☐ Diamond Plate Accessories

Additional features and options available upon request.

Available Models

Model	Axles	Capacity
T7000-2	Two	7000 lbs.
T10000-2	Two	10000 lbs.
T12000-2	Two	12000 lbs.
T16000-2	Two	16000 lbs.
T20000-2	Two	20000 lbs.
T30000-3	Three	30000 lbs.

Options

axle trailer equipped with front storage option.